

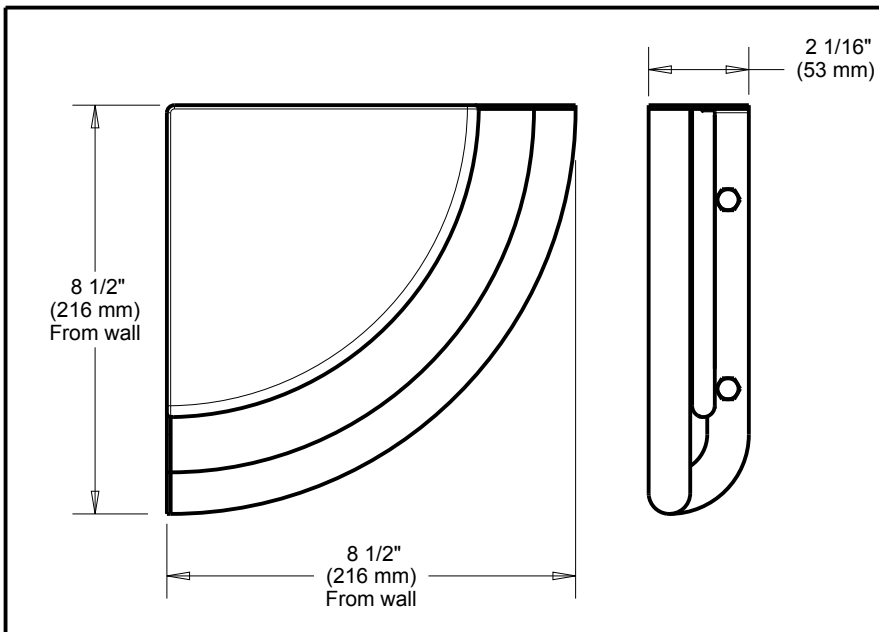
**DELTA**<sup>®</sup>

**ACCESSORIES**

- Traditional™ Bath Safety Collection
- Corner Shelf with Assist Bar

Submitted Model No.: \_\_\_\_\_

Specific Features: \_\_\_\_\_



**STANDARD SPECIFICATIONS:**

- Wood blocking is preferable behind all wall surfaces. If wood blocking is not available, the supplied fasteners are recommended.
- Mounting hardware and mounting template included with product.
- 7/8" diameter assist bar.
- Maximum 300 lbs. as an assist bar on indicated surface.

**WARRANTY**

- If you have any questions or concerns regarding technical support, installation or our warranty, please contact us at 1-800-635-2731 or visit our website at [www.libertyhardware.com](http://www.libertyhardware.com).

Delta reserves the right (1) to make changes in specifications and materials, and (2) to change or discontinue models, both without notice or obligation. Dimensions are for reference only. See current full-line price book or [www.deltafaucet.com](http://www.deltafaucet.com) for finish options and product availability.

TDS 22587 - Rev. A

**DELTA**<sup>®</sup>  
FAUCET COMPANY

Liberty Hardware Manufacturing Corporation  
140 Business Park Drive, Winston-Salem, NC 27107  
1.800.964.4850 • [www.libertyhardware.com](http://www.libertyhardware.com)  
© 2020 LHMC, A Masco Company